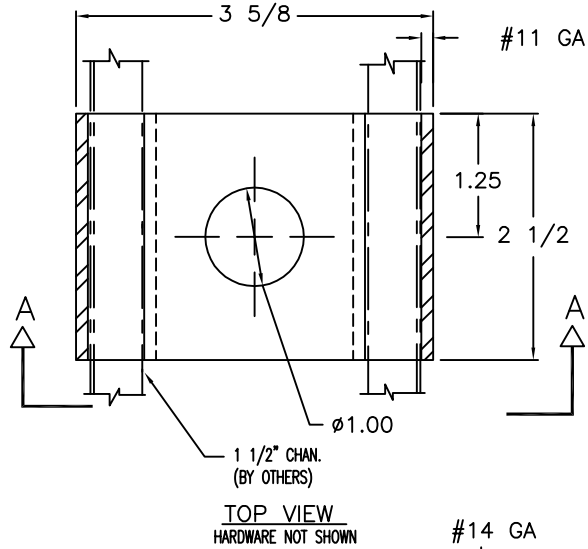
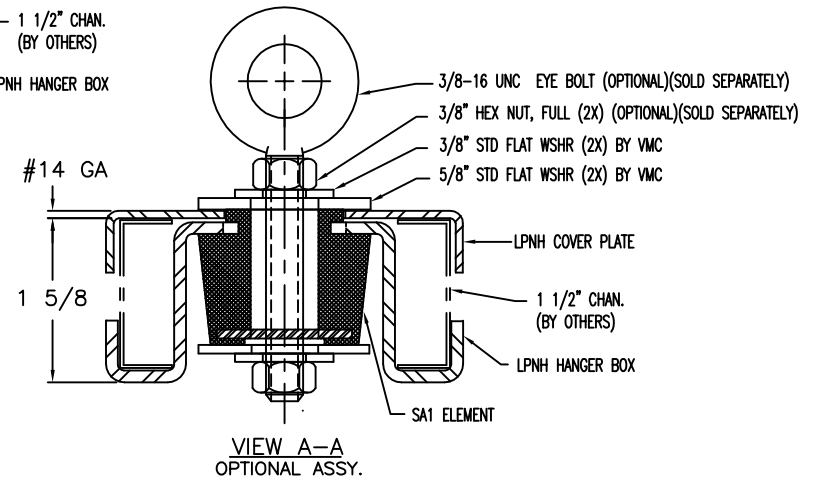
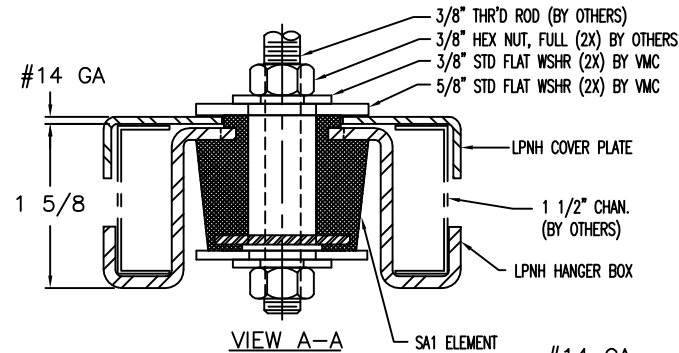


REV.	DESCRIPTION	DATE	BY



MODEL DESIGNATION	MAX LOAD (LBS.)	RATED DEFLECTION	COLOR CODE
LPNH-70	70	0.23	YELLOW
LPNH-120	120	0.23	GREEN
LPNH-170	170	0.23	RED
LPNH-230	230	0.23	WHITE
LPNH-300	300	0.23	BLACK



NOTES:

1. ALL DIMENSIONS IN INCHES. INTERPRET PER ANSI Y14.
2. MATERIAL: HANGER BOX- ZINC PLATED CARBON STEEL
3. RUBBER ELEMENT- NEOPRENE
4. HARDWARE- ZINC PLATED

OTHER MATERIALS, COMPOUNDS, OR FINISHES WITH EQUAL OR SUPERIOR PROPERTIES MAY BE SUBSTITUTED AS THEY BECOME AVAILABLE.

CERTIFIED FOR:

JOB NAME: _____

CUSTOMER : _____

CUSTOMER P.O.: _____

SALES ORDER: _____

MODEL LPNH 70-300 LBS. LOW PROFILE ELASTOMERIC FLOATING CEILING ISOLATOR



THE VMC GROUP
The Power of Together
Bloomingdale, NJ 07403
Houston, TX 77041

SCALE:

NONE

SHEET:



DRAWING NO.:

REVISION